

1

2

3

4

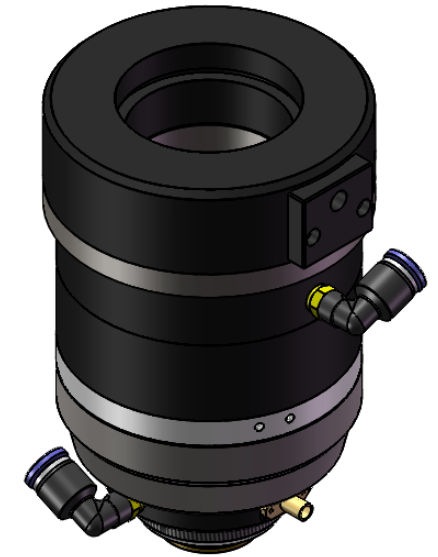
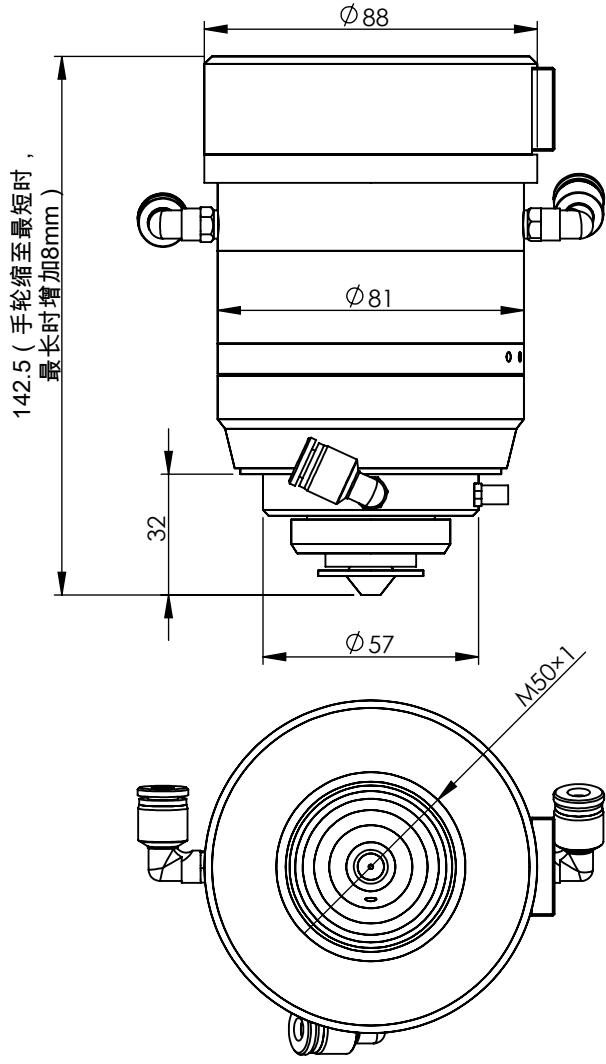
5

Part number:

No.	Description	Date	Version

Note:

- 1. Applicable standards/specifications: **Dimensions and tolerances**
- 2. Surface Roughness:
- 3. Materials:



Title	C2-D50-F80切割头		
QTY	Part No.	Weight	Materials
1			
		Au3tech Research Pty Ltd	
		http://www.au3tech.com	
SCALE	SHEET	Date	SHT OF DWG No.
1:2		15. 05. 2014	

Information shown on this print is proprietary. This drawing is not to be reproduced either wholly or in part without the express permission of Au3tech Research Pty Ltd

1

2

3